

Concealed floor mounting -

35 948 970

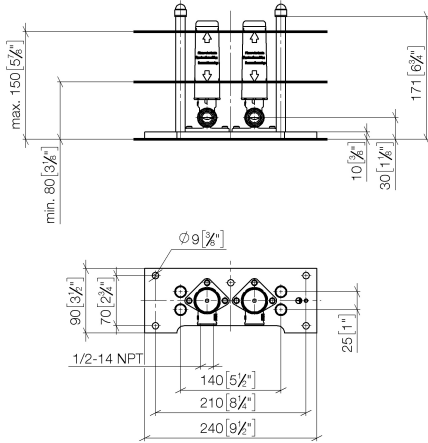
- 1x 1/2" connection angle
- dust cover
- anti-water packing



Concealed floor mounting -

35 948 970

mm [inches]



Codes & Standards

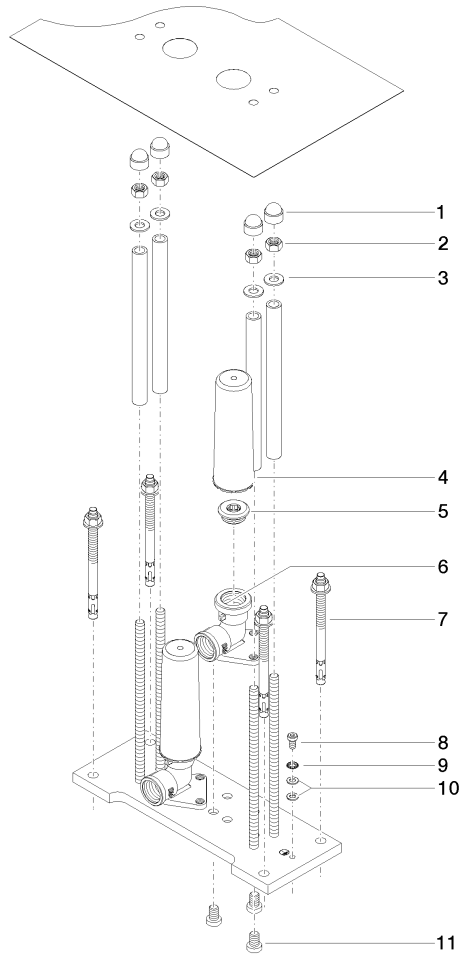
ASME
A112.18.1/CSA
B125.1

Certificates

IAPMO_4976 (3).

Concealed floor mounting -

35 948 970



Spare parts list

No.	Item Number	Name	Quantity used	Delivery time
1	04 14 03 151 00 90	gasket kit	1	2
2	09 21 02 147 90	cap	4	-
Spare part can no longer be ordered, please order the replacement item				
3	09 23 10 023 90	nut	4	2
4	09 30 11 045 90	disc	4	2
5	09 21 02 102 90	cap	1	2
6	04 31 20 006 00 90	plug	1	2
7	09 11 03 042 10 90	connection	1	60
8	04 30 35 008 00 90	fixing set	1	2
9	09 30 30 085 90	screw	1	60
10	90 30 11 032 00 90	disc	1	2
11	09 30 11 048 90	disc	2	2
12	09 30 30 150 90	screw	3	2